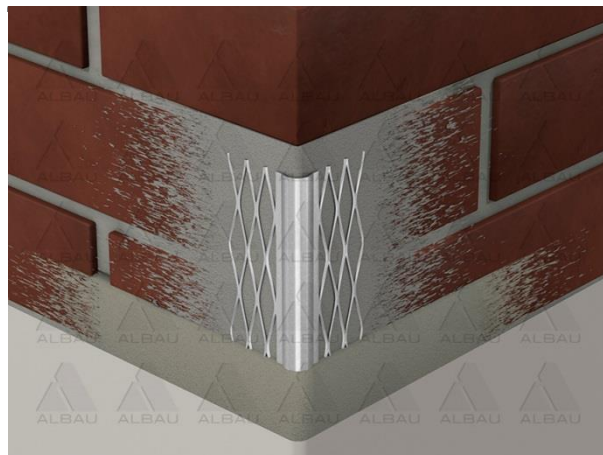
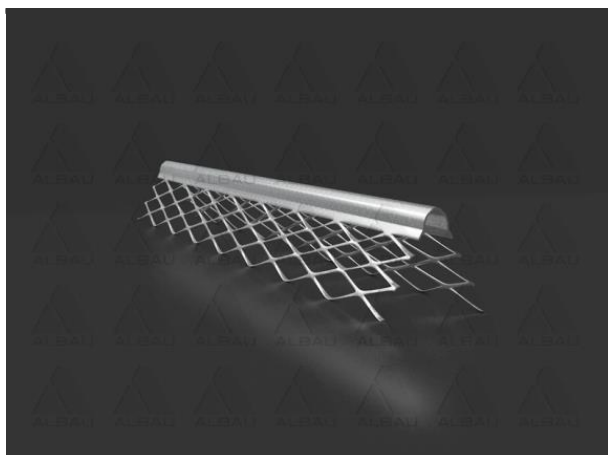


**PSC 04ZN / Sharp corner bead**



**Application:** Galvanized sharp corner is intended for strengthening, protecting and increase stability of crumbling wall corners. Provides a true, straight corner which protects and reinforces plaster, where it is most vulnerable. Galvanized profiles have a higher mechanical strength than aluminium profiles. Creates an aesthetically perfect finish.

**Advantages:**

- Creates clean and sharp corners;
- Applicable even on defective and slightly irregular surfaces;
- Provide superior plaster adhesion.

**Technical data:**

Product code	EAN	Material	Length	Thickness	Package
ALB-PSC-04ZN-25	4751023401508	Zinc-coated steel	2.5 m	0.4 mm	25 pcs.
ALB-PSC-04ZN-30	4751023401430	Zinc-coated steel	3.0 m	0.4 mm	25 pcs.

**Installation tip:**

Metal plaster bead can be installed using standard industry practice with drywall nails, staples, screws or clinching tool and features deeply knurled mud anchors for perfect mud adhesion.

**Storage:**

A horizontal storage position is recommended. The profiles need to be stored in a dry place the temperature range of -5°C to +40°C. Maximum recommended storage time is 24 months.



**MADE IN EUROPE**

Distributor: Ltd "Albau" – Ritvari, Rumbula, Stopinu district, LV-2121, Latvia. Reg.No. – 40103561205



[www.albau.eu](http://www.albau.eu)

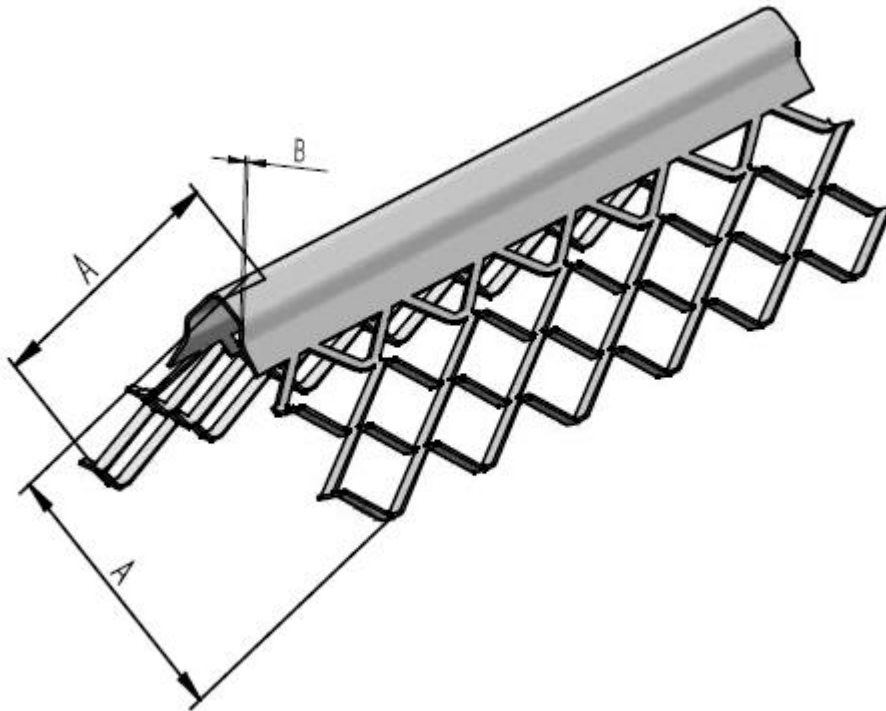


[www.xbau.eu](http://www.xbau.eu)

**PSC 04ZN / Sharp corner bead**

Type

Sharp corner 34x34 – B mm



Dimensions [mm]		A	B
	Sharp corner 34 x 34 –	34	0,4
	Tolerance±	1,0	0,0
Profile length [m]	2.5; 3.0		
Length tolerance [mm]	± 5		
Material	Zinc-coated steel		



**MADE IN EUROPE**

Distributor: Ltd "Albau" – Ritvari, Rumbula, Stopinu district, LV-2121, Latvia. Reg.No. – 40103561205



[www.albau.eu](http://www.albau.eu)



[www.xbau.eu](http://www.xbau.eu)