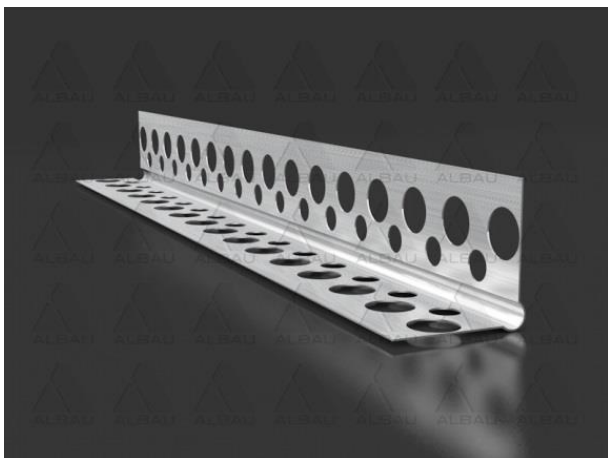
	ALBAU SIA	V 03
	Product technical data sheet	v1
		Page 1
		Pages 2

PC 04AL / Aluminum corner profile



Application: Aluminium corner profile. Aluminium corner profile for drywall systems. Corner profile is used for protection, stabilization and making accurate edges. Protects corners against mechanical damage and prevents the small crack formation. Creates an aesthetically perfect finish.

Advantages-application:

- Easy to install;
- Good adhesive performance and enhanced performance;
- Effectively protect wall corner against bump and other damage;
- It can make the corner looks smoother and speed up the construction period.

Technical data:

Product code	EAN	Thickness	Dimensions	Length	Material	Package
ALB-PC-04AL-25	4751023401454	0,4mm	23x23 mm	2,5 m	Aluminum	200 pcs.
ALB-PC-04AL-30	4751023401447	0,4mm	23x23 mm	3,0 m	Aluminum	200pcs.

Installation tip:

Metal plaster bead can be installed using standard industry practice with drywall nails, staples, screws or clinching tool and features deeply knurled mud anchors for perfect mud adhesion.

Storage:

A horizontal storage position is recommended. The profiles need to be stored in a dry place the temperature range of -5°C to +40°C. Maximum recommended storage time is 24 months.

MADE IN EUROPE

Distributor: Ltd "Albau" – Ritvari, Rumbula, Stopinu district, LV-2121, Latvia
Reg.No. - 40103561205




www.albau.eu



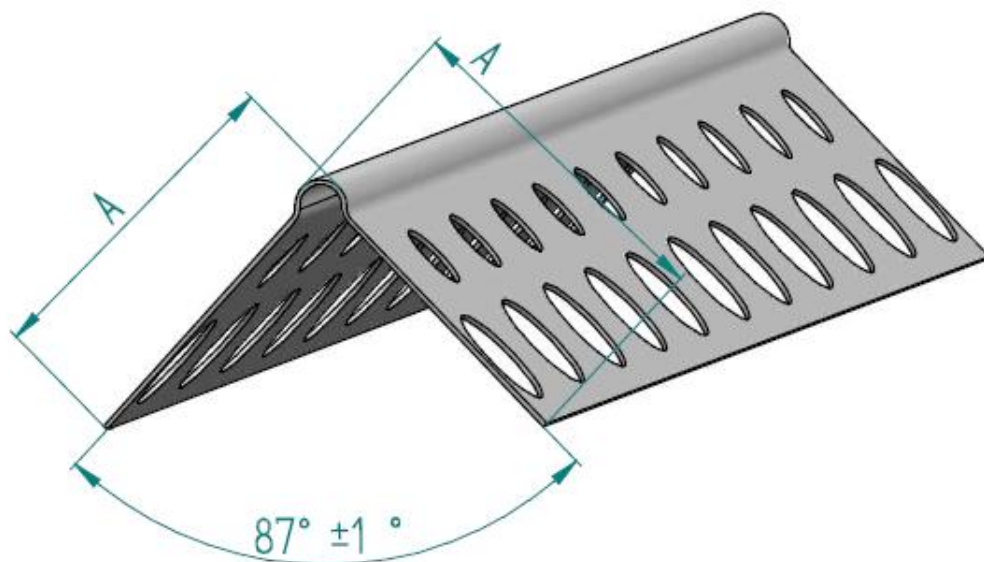
www.xbau.eu



	ALBAU SIA	V 03
	Product technical data sheet	v1
		Page 2
		Pages 2

PC 04AL / Aluminum corner profile

Type | Aluminum profile, 23x23/0,4 CE



Dimensions [mm]	LPS ALU 23	A 23
	Tolerance ±:	1.0
	<hr/>	
Profile length [m]	2,5; 3,0.	
Length tolerance [mm]	± 5	
Thickness [mm]	0,40	
Thickness tolerance [mm]	± 0,0	
Material	Aluminum 99.5-ENAW 1050	

MADE IN EUROPE

Distributor: Ltd "Albau" – Ritvari, Rumbula, Stopinu district, LV-2121, Latvia
Reg.No. - 40103561205



www.albau.eu



www.xbau.eu

