

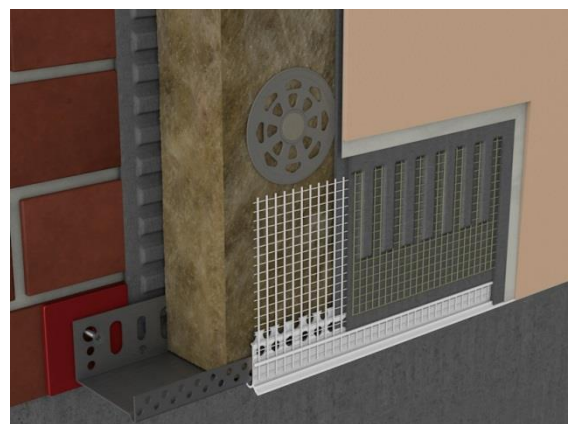
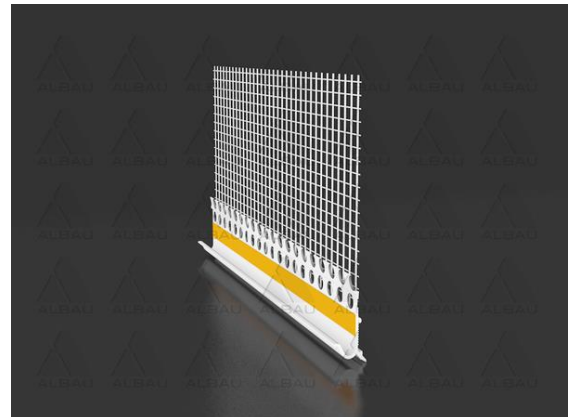
**ED-B05F-25 /Drip ledge with mesh for base profile 5 mm**

**Application:** Self-adhesive water drip edge PVC profile with glass fibre mesh for aluminium base profile. Drip edge profile is forming the transition between the facade insulation system ETICS and a protruding base in its plane, leading the rainwater away from it. Reinforces and shapes up precisely the base edge preventing its cracking. Glass fibre mesh meet the ETAG 004 requirements.

**Comply with ETICS insulation system**

**Advantages:**

- Firm connection of the base profile with insulating material;
- Prevents crack occurrence in the place of jointing the plaster on the base profile;
- With its distinct drip ledge, the profile ensures a perfect drain of water off the system, prevents capillary rise under the insulating material;
- Perfect structural and visual finish and closure of the system.



**Technical data:**

Product code	EAN	Length	Plaster thickness	Package
ALB-ED-B05F-25	4751023401362	2.5 m	5 mm	50 cs.

**Installation tips:**

- Place the drip ledge with mesh and use the double self-adhesive tape to stick it on the base profile;
- Then insert the insulating material with an adhesive applied on it in the base profile and stick it on the wall;
- Then apply the adhesive also on the front bottom part of the insulating material to the minimum height of 10 cm;
- Press the fibre glass reinforcement mesh of the profile into the adhesive;
- Wipe off the adhesive that has been pressed out through the mesh and level with a metal float.

**Storage:**

A horizontal storage position is recommended. The profiles need to be stored in a dry place the temperature range of -5°C to +40°C. Maximum recommended storage time is 24 months



**MADE IN EUROPE**

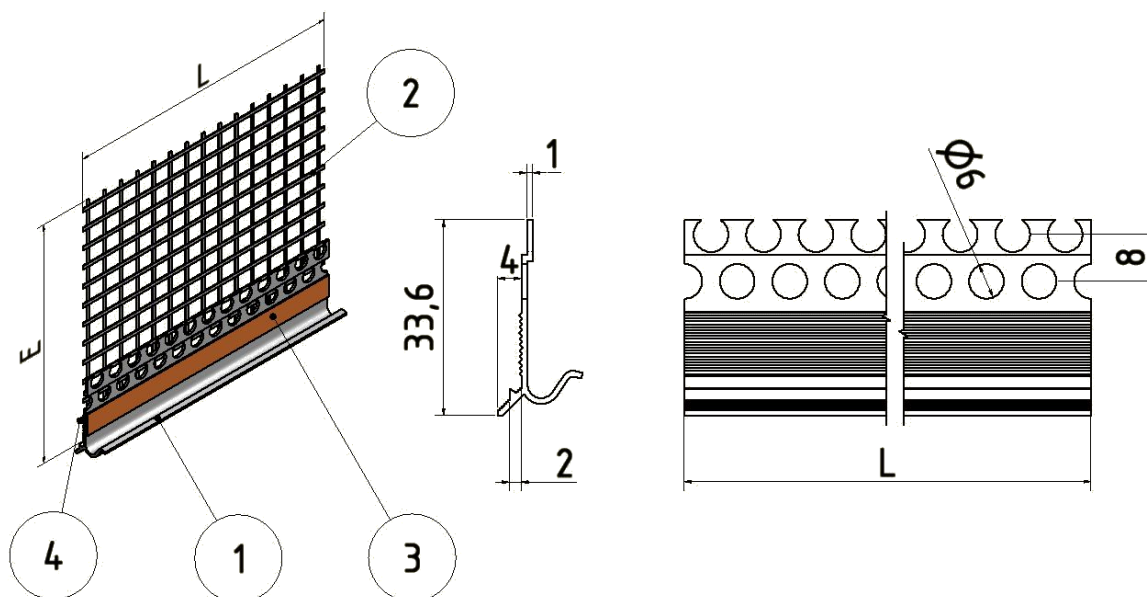
Distributor: Ltd "Albau" – Ritvari, Rumbula, Stopinu district, LV-2121, Latvia. Reg.No. – 40103561205



[www.albau.eu](http://www.albau.eu)



[www.xbau.eu](http://www.xbau.eu)

**ED-B05F-25 Drip ledge with mesh for base profile 5 mm**

**Technical parameters**

<b>Position 1: PVH drip</b>			
Material		H-PVH	
Profile length (L)	[mm]	2500	±10
Profile thickness	[mm]	1,0	±0,1
<b>Position 2: Fibre-glass mesh</b>			
Material		Alkali-proof fibre-glass mesh Vertex ETAG 004 145 g/m <sup>2</sup>	
Width (E)	[mm]	100	±5
Overlap	[mm]	0	
<b>Pozīcija 3: Adhesive tape</b>			
Material		Polyethylene foil	
Dimensions (width x height)	[mm]	9 x 1	
<b>Position 4: Solder line</b>			
Material		H-PVC	
Diameter	[mm]	1,7	


**MADE IN EUROPE**

Distributor: Ltd "Albau" – Ritvari, Rumbula, Stopinu district, LV-2121, Latvia. Reg.No. – 40103561205


[www.albau.eu](http://www.albau.eu)

[www.xbau.eu](http://www.xbau.eu)