
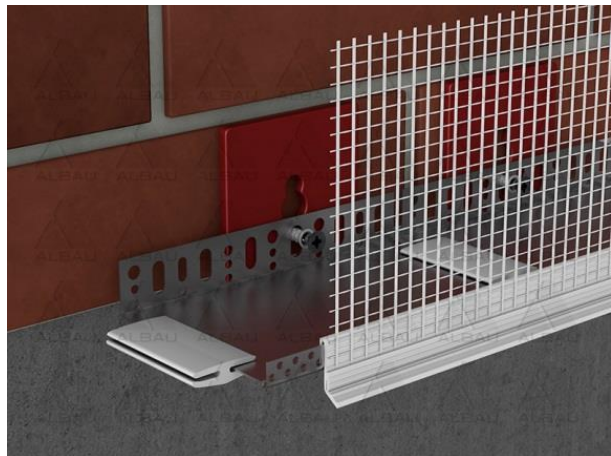
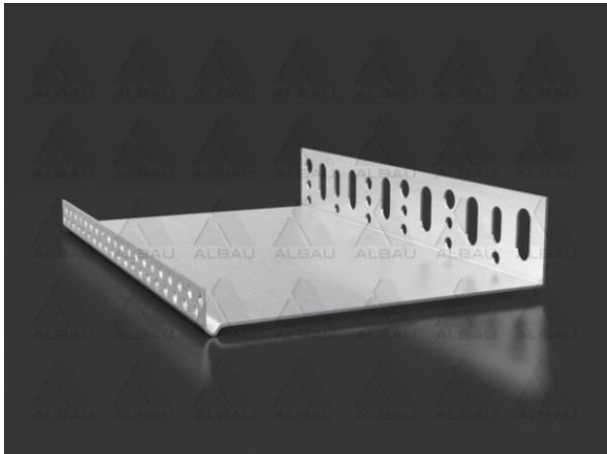


| | | |
|---|-------------------------------------|---------|
|  | ALBAU LTD | V 03 |
| | Product technical data sheet | v1 |
| | | Page 1 |
| | | Pages 2 |

EB/ Base profile 1 mm



Application: Cokola profils piemērots siltumizolācijas materiāla stiprināšanai kā starta profils siltināšanas sistēmās. Profilu montē horizontāli, ēkas cokola daļā. Aizsargā siltināšanas sistēmu no mehāniskiem bojājumiem, profila lāsenis nodrošina mitruma novadīšanu no ārsienu siltināšanas sistēmas ETICS. Pielietojams komplektā ar stūra lāseņiem: 3mm (ED B03K), 5mm (ED B05F) un 6mm (ED B06K).

Comply with ETICS insulation system

Advantages:

- Horizontal set-up of insulation material;
- Dripping edge guarantee the water drains in a vertical direction from the bottom of the ETICS structure;
- System protection against mechanical damage;
- Rainwater draining off the system, prevention of any capillary rise; under insulation material.

Installation tips:

- Place the base profile to the wall, align with a spirit-level and mark places to drill holes for anchors;
- Do not use impact drilling for hollow bricks to prevent inner brick partitions from breaking - the anchor would not hold in the masonry;
- Insert the anchor through the hole in the profile into the predrilled, sufficiently deep and clean hole in the masonry;
- Fix the profile by hammering a steel screw in the anchor;
- To prevent the profile from distorting due to uneven masonry, use spacers for installation;
- Base profiles are joined to one another using base profile joint units.

MADE IN EUROPE


Distributor: Ltd "Albau" – Ritvari, Rumbula, Stopinu district, LV-2121, Latvia
Reg.No. - 40103561205



www.albau.eu



www.xbau.eu

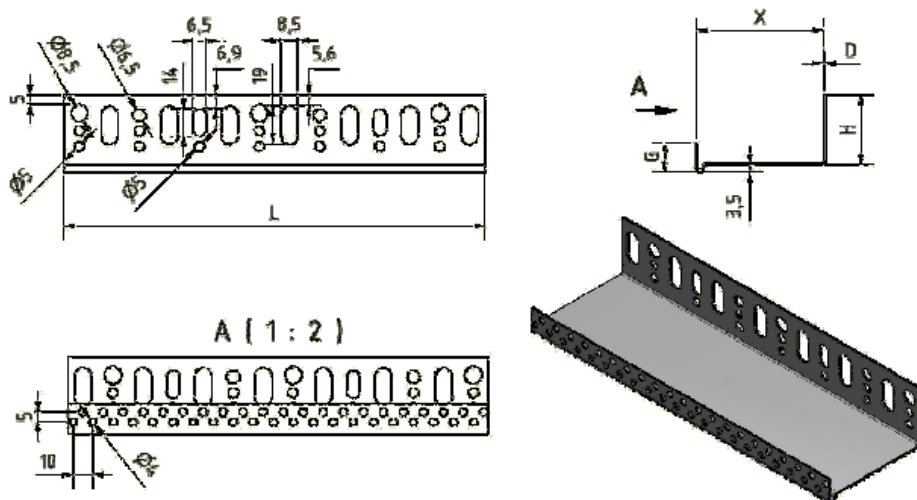
| | | |
|---|-------------------------------------|-------------|
|  | ALBAU LTD | V 03 |
| | Product technical data sheet | |
| | v1 | |
| | Page 2 | |
| | | Pages 2 |

Storage:

A horizontal storage position is recommended. The profiles need to be stored in a dry place the temperature range of -5°C to +40°C. Maximum recommended storage time is 24 months

Technical data:

| Prodct code | EAN | Insulation thickness | Length | Thickness | Package [pcs.] |
|------------------|---------------|----------------------|--------|-----------|----------------|
| ALB-EB-10/123-25 | 4751023401140 | 120 mm | 2.5 m | 1 mm | 10 |
| ALB-EB-10/143-25 | 4751023401195 | 140 mm | 2.5 m | 1 mm | 10 |
| ALB-EB-10/153-25 | 4751023401157 | 150 mm | 2.5 m | 1 mm | 10 |
| ALB-EB-10/163-25 | 4751023401201 | 160 mm | 2.5 m | 1 mm | 10 |
| ALB-EB-10/173-25 | 4751023401218 | 170 mm | 2.5 m | 1 mm | 10 |
| ALB-EB-10/183-25 | 4751023401164 | 180 mm | 2.5 m | 1 mm | 10 |
| ALB-EB-10/203-25 | 4751023401171 | 200 mm | 2.5 m | 1 mm | 10 |
| ALB-EB-10/253-25 | 4751023401188 | 250 mm | 2.5 m | 1 mm | 10 |
| ALB-EB-10/303-25 | 4751023401256 | 300 mm | 2.5 m | 1 mm | 10 |



Technical parametrs

| | | |
|---------------------------|-------------------|-------|
| Material | Aluminum alloyed. | |
| Profile length (m) | 2,5 | ±10 |
| Insulation thickness (mm) | 120-300 mm | ±0.5 |
| Profile thickness (mm) | 1,0 | ±0.05 |
| Height of front side (mm) | 15 | ±1 |
| Height of back side (mm) | 34 | ±1 |

MADE IN EUROPE

Distributor: Ltd "Albau" – Ritvari, Rumbula, Stopinu district, LV-2121, Latvia
 Reg.No. - 40103561205



www.albau.eu



www.xbau.eu