

ALB-EB-08-25 / Base profile 0.8 mm


Application: Cokola profils piemērots siltumizolācijas materiāla stiprināšanai kā starta profils siltināšanas sistēmās. Profilu montē horizontāli, ēkas cokola daļā. Aizsargā siltināšanas sistēmu no mehāniskiem bojājumiem, profila lāsenis nodrošina mitruma novadīšanu no ārējo siltināšanas sistēmas ETICS. Pielietojams komplektā ar stūra lāseņiem: 3mm (ED B03K), 5mm (ED B05F) un 6mm (ED B06K).

Comply with ETICS insulation system
Advantages:

- Horizontal set-up of insulation material;
- Dripping edge guarantee the water drains in a vertical direction from the bottom of the ETICS structure;
- System protection against mechanical damage;
- Rainwater draining off the system, prevention of any capillary rise under insulation material.

Installation tips:

- Place the base profile to the wall, align with a spirit-level and mark places to drill holes for anchors;
- Do not use impact drilling for hollow bricks to prevent inner brick partitions from breaking - the anchor would not hold in the masonry;
- Insert the anchor through the hole in the profile into the predrilled, sufficiently deep and clean hole in the masonry;
- Fix the profile by hammering a steel screw in the anchor;
- To prevent the profile from distorting due to uneven masonry, use spacers for installation;
- Base profiles are joined to one another using base profile joint units.

Technical data:

Product code	EAN	Insulation thickness	Length	Thickness	Package
ALB-EB-08/53-25	4751023401102	50 mm	2.5 m	0.8 mm	10 pcs.
ALB-EB-08/73-25	4751023401119	70 mm	2.5 m	0.8 mm	10 pcs.
ALB-EB-08/83-25	4751023401126	80 mm	2.5 m	0.8 mm	10 pcs.
ALB-EB-08/103-25	4751023401133	100 mm	2.5 m	0.8 mm	10 pcs.


MADE IN EUROPE

Distributor: Ltd "Albau" – Ritvari, Rumbula, Stopinu district, LV-2121, Latvia

Reg.No. - 40103561205

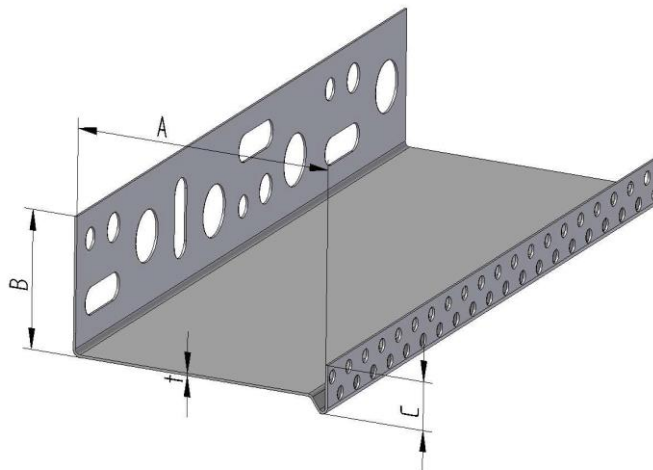

www.albau.eu

www.xbau.eu

Storage:

A horizontal storage position is recommended. The profiles need to be stored in a dry place the temperature range of -5°C to +40°C. Maximum recommended storage time is 24 months

EB-08-25 / Base profile 0.8mm



Technical parametrs

Material	Natural aluminium, aloyed	
Dimensions (mm)	A= 53-103 B= 33 C= 14.5 t= 0.8	
Profile length	2.5m	
Length tolerance	± 5 mm	
Insulation thickness (mm) (A)	53, 73, 83, 103	±0,5
Profile width (mm)	0.8	±0,05



MADE IN EUROPE

Distributor: Ltd "Albau" – Ritvari, Rumbula, Stopinu district, LV-2121, Latvia

Reg.No. - 40103561205



www.albau.eu



www.xbau.eu